

Totalizers mechanic

Stroke, meter and revolution counter

Display 5-digits, manual reset by lever

H 410, M 410, U 410, M 411, U 411



H 410 - Stroke counter



M 410 - Meter counter



U 410 - Revolution counter

Features

- Stroke, meter and revolution counter
- Adding
- Display 5-digits
- Reset by lever

Technical data - mechanical design

Number of digits	5-digits
Digit height	7 mm
Reset	Manual by reset lever. Do not let snap or make jerky movements.
Operating temperature	0...+60 °C
Housing type	Surface mount housing with mounting plate
Housing colour	Grey
Dimensions W x H x L	106 x 64 x 45 mm
Dimension mounting plate	120 x 64 mm
Mounting	Base plate, 4 mounting holes
Weight approx.	380 g
Materials	Housing: Hostaform POM, grey Base plate: Steel zinc-coated

H 410

Function	Stroke counter
Display	White numbers on black
Count mode	Adding in a stroke direction to be indicated. 1 stroke = 1 count
Drive shaft	Both sides, $\varnothing 7$ mm
Stroke	$>38^\circ$ to $<60^\circ$
Stroke lever	To be positioned on shaft at will. Stroke lever relocates automatically to start position.
Stroke frequency	<500 strokes/min
Measuring range	99 999

Totalizers mechanic

Stroke, meter and revolution counter

Display 5-digits, manual reset by lever

H 410, M 410, U 410, M 411, U 411

Technical data - mechanical design

M 410

Function	Meter counter
Display	White numbers on black Decimal digits in red
Count mode	Adding in a rotational direction to be indicated, subtracting in reverse direction. See part number key
Drive shaft	Both sides, $\varnothing 7$ mm
Measuring speed	<200 m/min (measuring wheel)
Measuring precision	1 dm, 1 cm
Measuring range	9999.9 m

U 410

Function	Revolution counter
Display	White numbers on black
Count mode	Adding in a rotational direction to be indicated, subtracting in reverse direction. 1 rev. = 1 count
Drive shaft	Both sides, $\varnothing 7$ mm
Operating speed	≤ 3000 rpm
Measuring range	99 999

M 411

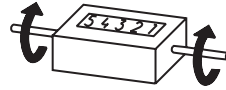
Function	Meter counter
Display	White numbers on black Decimal digits in red
Count mode	Adding in a rotational direction to be indicated, subtracting in reverse direction. See part number key
Drive shaft	Centered below, $\varnothing 7$ mm
Measuring speed	<60 m/min
Measuring precision	1 dm
Measuring range	9999.9 m

U 411

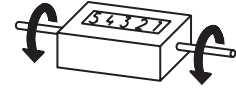
Function	Revolution counter
Display	White numbers on black
Count mode	Adding in a rotational direction to be indicated, subtracting in reverse direction. 1 rev. = 1 count
Drive shaft	Centered below, $\varnothing 7$ mm
Operating speed	≤ 1000 rpm
Measuring range	99 999

Direction of strokes and rotation

H 410, M 410, U 410

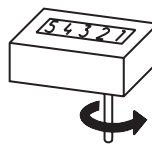


Away from user
Sense of rotation or stroke direction I

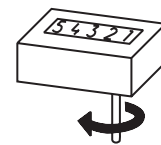


Towards user
Sense of rotation or stroke direction II

M 411, U 411



Sense of rotation I



Sense of rotation II

Accessories

Measuring wheels for M 410, M 411

MR512.07A	Circumference 50 cm, knurled aluminium
MR542.07D	Circumference 50 cm, smooth Hytrel TPE-E
MR552.07A	Circumference 50 cm, smooth Vulkollan PUR
MR562.07A	Circumference 50 cm, knopped rubber NBR Nitril
MR592.07D	Circumference 50 cm, grooved Hytrel TPE-E

Totalizers mechanic

Stroke, meter and revolution counter

Display 5-digits, manual reset by lever

H 410, M 410, U 410, M 411, U 411

Ordering part number

H 410. 010 A 02

Display / direction of stroke
 A 5-digits 99 999 / I
 B 5-digits 99 999 / II

Count mode / drive
 02 1 stroke = 1 digit / drive shaft on both sides

Housing
 A Surface mount housing, grey

Reset
 010 With reset lever

M 410. 010

Display / direction of rotation
 C 5-digits 9999.9 / I
 D 5-digits 9999.9 / II
 E 5-digits 999,99 / I
 F 5-digits 999,99 / II
 G 5-digits 9999.95 / I
 H 5-digits 9999.95 / II

Count mode / drive
 02 1 revolution = 10 digits = 1.0 m / drive shaft on both sides
 03 2 revolutions = 10 digits = 1.0 m / drive shaft on both sides
 04 5 revolutions = 10 digits = 1.0 m / drive shaft on both sides
 06 5 revolutions = 100 digits = 1.0 m / drive shaft on both sides
 07 2 revolutions = 100 digits = 1.0 m / drive shaft on both sides

Housing
 A Surface mount housing, grey
 B Surface mount housing with hinge plate

Reset
 010 With reset lever

M 411. 010 A 03

Display / direction of rotation
 C 5-digits 9999.9 / I
 D 5-digits 9999.9 / II

Count mode / drive
 03 2 revolutions = 10 digits = 1.0 m / drive shaft at bottom

Housing
 A Surface mount housing, grey

Reset
 010 With reset lever

U 410. 010 A

Display / direction of rotation
 A 5-digits 99 999 / I
 B 5-digits 99 999 / II

Count mode / drive
 01 1 revolution = 1 digit / drive shaft on both sides
 02 1 revolution = 10 digits / drive shaft on both sides

Housing
 A Surface mount housing, grey

Reset
 010 With reset lever

U 411. 010 A 01

Display / direction of rotation
 A 5-digits 99 999 / I
 B 5-digits 99 999 / II

Count mode / drive
 01 1 revolution = 1 digit / drive shaft at bottom

Housing
 A Surface mount housing, grey

Reset
 010 With reset lever

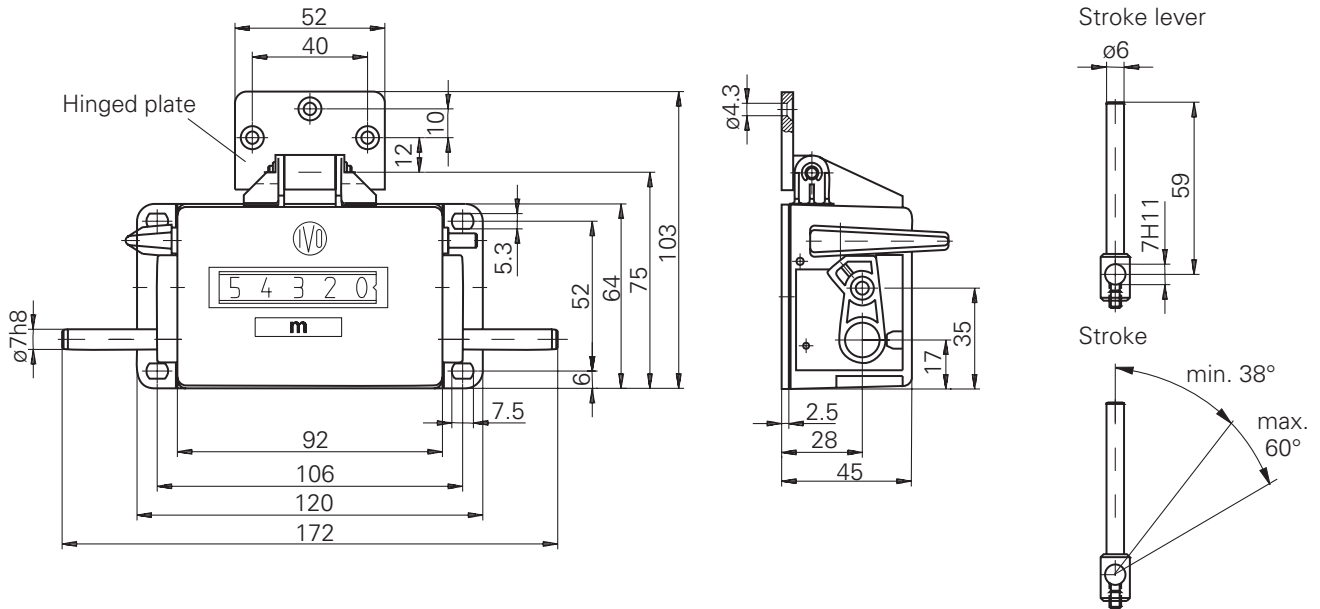
Totalizers mechanic

Stroke, meter and revolution counter
Display 5-digits, manual reset by lever

H 410, M 410, U 410, M 411, U 411

Dimensions

H 410, M 410, U 410



M 411, U 411

